

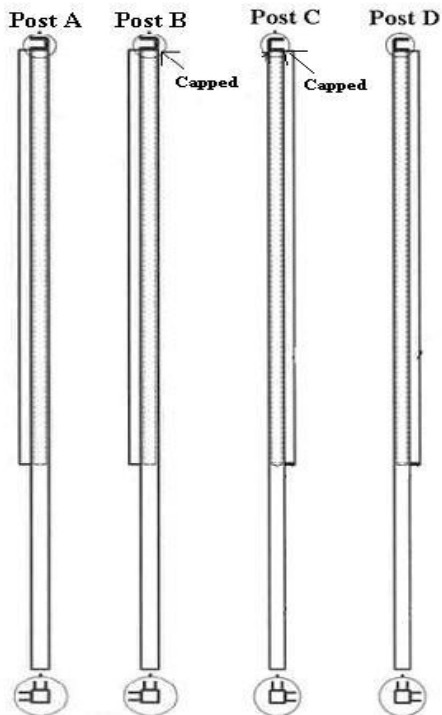


Encore Commercial Products, Inc.
24370 Northwestern Hwy., Suite 250, Southfield, MI 48075
Toll Free 1-866-737-8900 Fax 248-354-4095
www.postguard.com

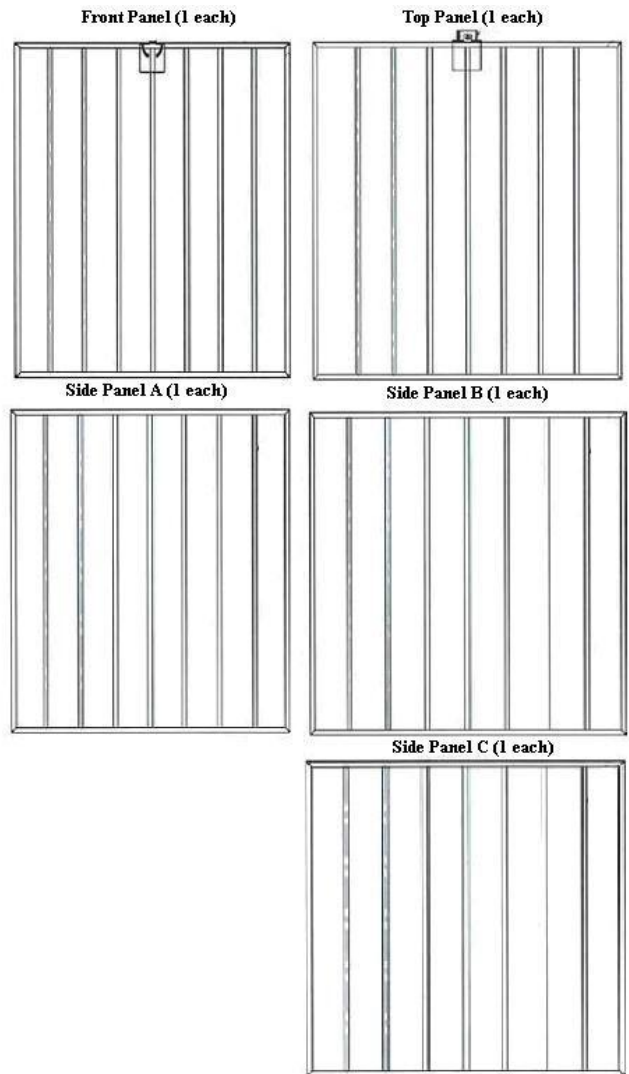
T-REX A/C Cage Supply Checklist

- Each A/C Cage calls for:
- 1 of each Post (4 total),
- 1 of each Post End (4 extended, 4 plated)
- 1 of each Panel (4 total), set of bolt (8 total), 1 Puck Lock

Post



Panels



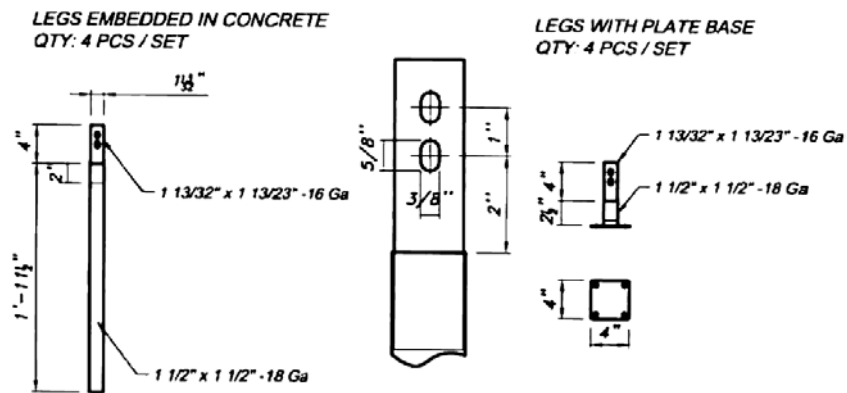
*Side Panel C needed if Cage is 4 sided



Encore Commercial Products, Inc.
24370 Northwestern Hwy., Suite 250, Southfield, MI 48075
Toll Free 1-866-737-8900 Fax 248-354-4095
www.postguard.com

A/C Supply Checklist 2 of 2

Post Ends



Anti-Separation Bars

QTY: 4 PCS/SET

