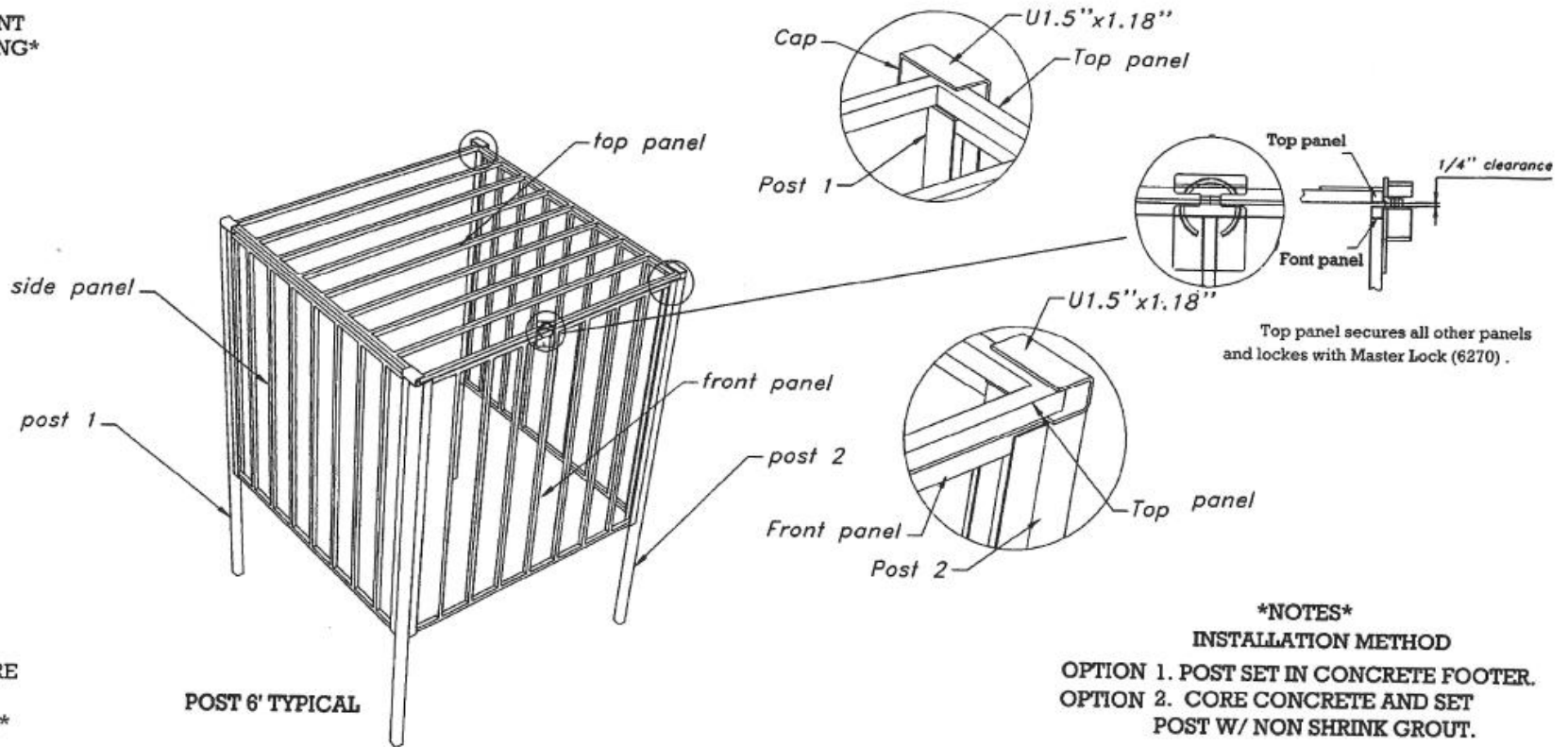




Encore Commercial Products, Inc.
 24370 Northwestern Hwy., Suite 250, Southfield, MI 48075
 Toll Free 1-866-737-8900 Fax 248-354-4095
www.postguard.com

3 x 3 AIR CONDITIONING CAGE

***PATENT
 PENDING***



***ALL CAGES ARE
 THREE SIDED
 UNLESS NOTED***

NOTES
INSTALLATION METHOD
OPTION 1. POST SET IN CONCRETE FOOTER.
**OPTION 2. CORE CONCRETE AND SET
 POST W/ NON SHRINK GROUT.**