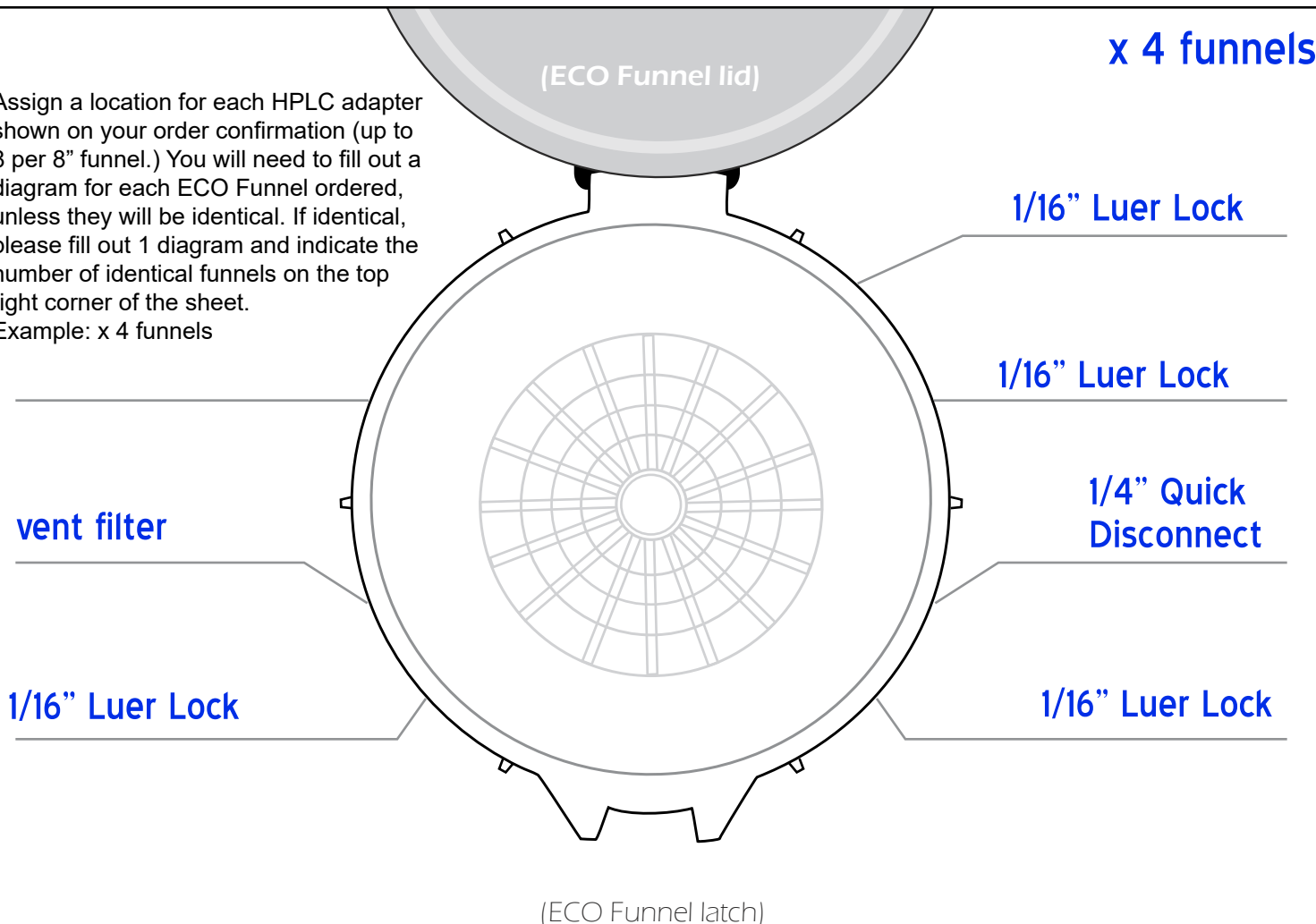


SAMPLE: How to fill out an 8" ECO Funnel HPLC Diagram

Assign a location for each HPLC adapter shown on your order confirmation (up to 8 per 8" funnel.) You will need to fill out a diagram for each ECO Funnel ordered, unless they will be identical. If identical, please fill out 1 diagram and indicate the number of identical funnels on the top right corner of the sheet.
Example: x 4 funnels



Customer Name: John Johnson Customer Direct Phone: 888-888-8000
 Company Name: ABC Labs
 Order Number / PO Number: PO# DS-100965

For Custom HPLC ECO Funnels: Mark the location of each HPLC Adapter you want affixed to your ECO Funnel (maximum 1 adapter per location). See chart for available HPLC sizes and types.

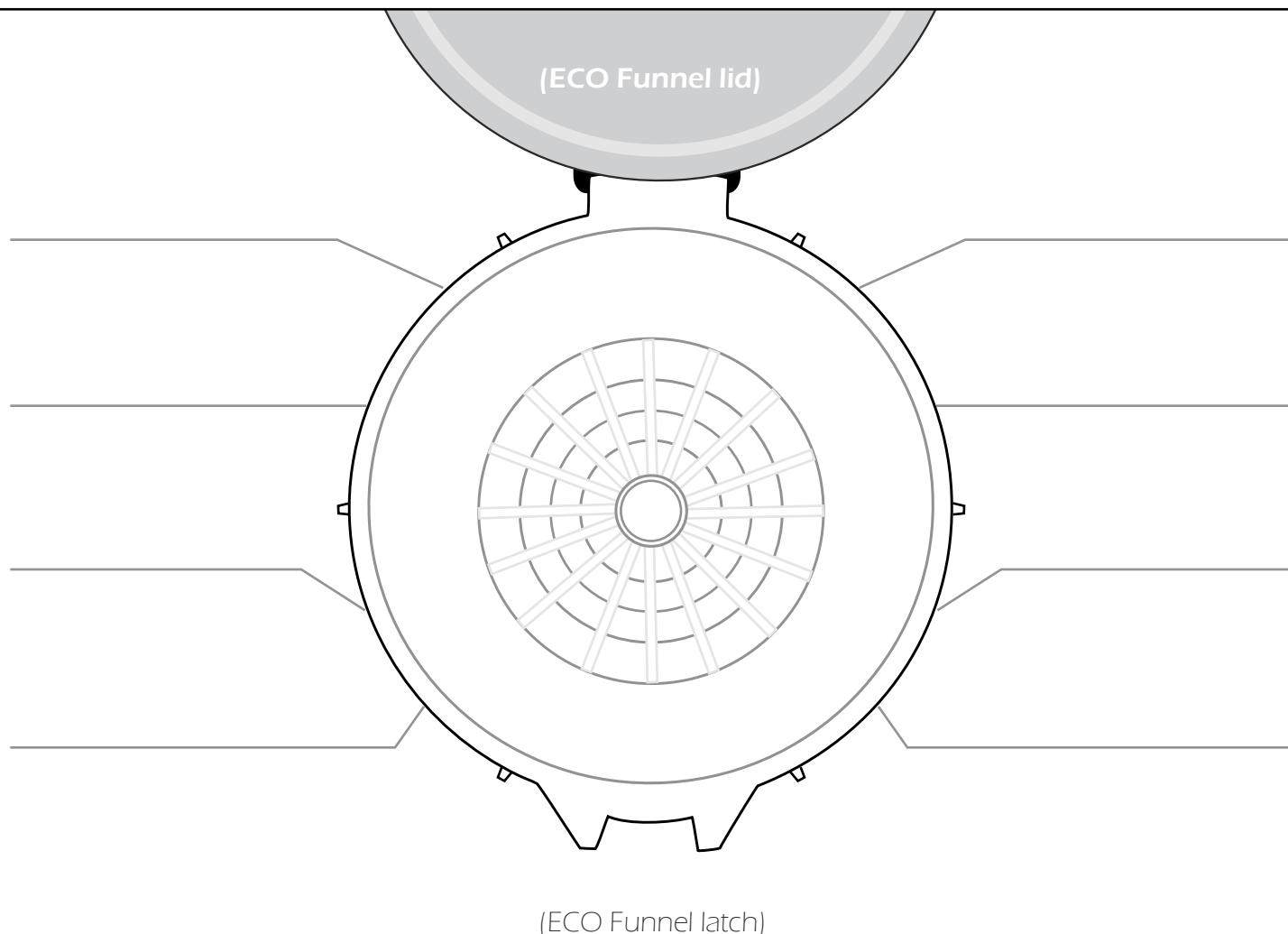
Note: use Multiple Forms for multiple ECO Funnels. *ECO Funnels with HPLC adapters and/or Vent Filters are not returnable.*

Do not overfill or allow chemicals to remain in ECO Funnels. Chemical compatibility is the responsibility of the end user.

Approval Signature: John H. Johnson

HPLC ADAPTER OPTIONS				
Luer Lock	Luer Barb	Thread Barb	Quick Disconnect	Vent Filter
1/16	1/16	1/16	1/16	one size
1/8	1/8	1/8	1/8	
	1/4	1/4	1/4	
	3/32	3/8	3/8	
	5/32	1/2	1/2	
	3/16			

8" ECO Funnel HPLC Diagram



Customer Name: _____ Customer Direct Phone: _____
 Company Name: _____
 Order Number / PO Number: _____

For Custom HPLC ECO Funnels: Mark the location of each HPLC Adapter you want affixed to your ECO Funnel (maximum 1 adapter per location). See chart for available HPLC sizes and types.

Note: use Multiple Forms for multiple ECO Funnels. *ECO Funnels with HPLC adapters and/or Vent Filters are not returnable.*

Do not overfill or allow chemicals to remain in ECO Funnels. Chemical compatibility is the responsibility of the end user.

Approval Signature: _____

HPLC ADAPTER OPTIONS				
Luer Lock	Luer Barb	Thread Barb	Quick Disconnect	Vent Filter
1/16	1/16	1/16	1/16	one size
1/8	1/8	1/8	1/8	
	1/4	1/4	1/4	
	3/32	3/8	3/8	
	5/32	1/2	1/2	
	3/16			