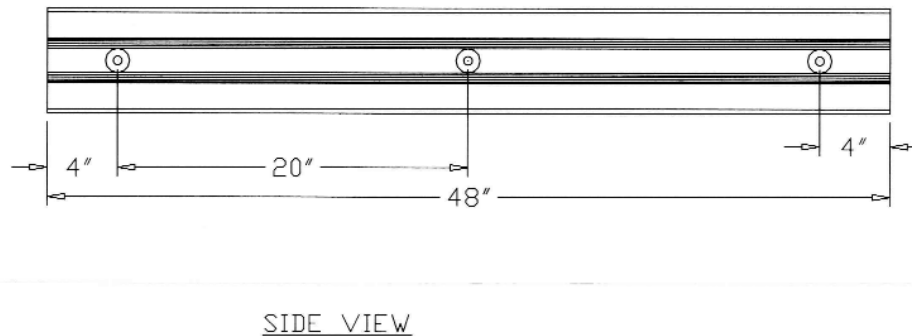
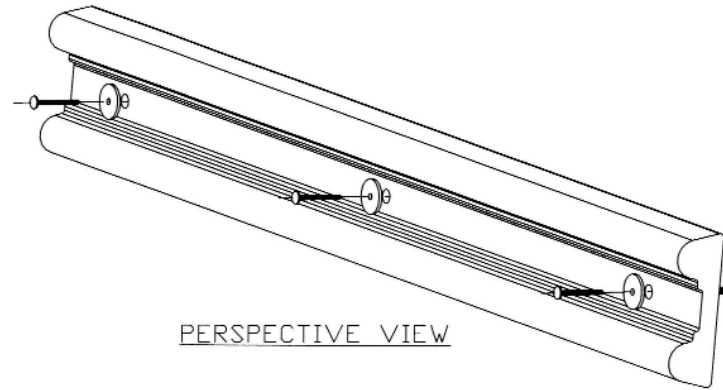
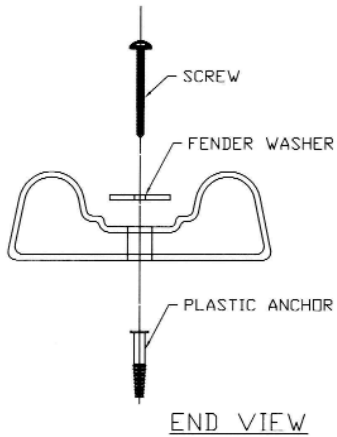


Ultra-Wall Protector

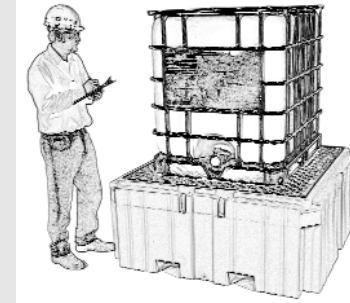
Installation Instructions



NOTES:

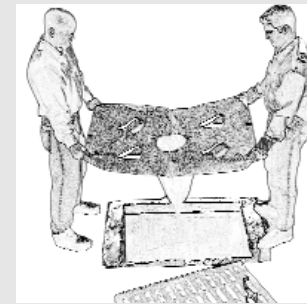
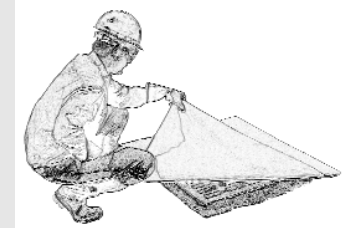
Drill 5/16" hole and use anchors if masonry wall. Drill 5/32" hole if wooden wall or stud behind drywall. Drill 5/32" hole if metal wall.

Also available from
UltraTech International, Inc.



Environmental
Containment

Spill
Response



Stormwater
Management

(800) 353-1611
www.FacilityProtection.com

Ultra-I-Beam Protector

Installation Instructions

1. Use a screwdriver or other "wedging" device that is the same thickness as the I-Beam flange. Start at the open end and work the wedge to open the slot and push the wedge to about 10" from the top end of the unit. This will keep the slot open at the end.
2. Press the opened slot onto the I-Beam flange securely and remove the wedge.
3. Hold the inserted portion of the unit in place and push the remainder of the I-Beam Protector onto the I-Beam flange.

You can install 1, 2, 3 or 4 Ultra-I-Beam Protectors per I-Beam. One size fits all.